

# LED MAGNETIC TRACK LIGHT



## OTSEN MAGNETIC TRACK LIGHT

OTSEN MAGNETIC TRACK lighting systems can now offer exceptional color quality and energy efficiency, with some models achieving a CRI >95 for excellent color rendering and luminous efficacy of 110 LM/W for strong brightness and low power consumption. This combination ensures that colors appear vibrant and natural-ideal for art galleries, retail, or any space where accurate color is important-while also reducing electricity costs thanks to high efficiency, blending premium illumination quality with energy savings.

### Application Areas

- Office space
- Retail Store
- Healthcare Facilities
- Residential Project
- Hotels

**OSRAM**  
LED CHIPS



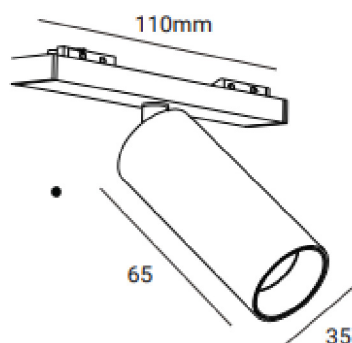
## Product Features

- Streamline design style, can be seamless connection with any dimension, with an elegant presentation.
- No Flicker, High efficiency and energy saving
- Slim and sleek design
- Multiple mounting method
- High CRI
- Easy Installation and Maintenance
- Long lifespan of 50,000 hours, ensuring reliable performance.
- IP20 rated.

## Product & Information

Luminaire Details	Product Name	OTSEN MAGNETIC TRACK LIGHT
	Product Type	TRACK LIGHT
	Product code	OT-MGL-25-GD20
	Luminaire Type	SMD
	IP Rating	IP20
	Supply Voltage	220-240V
	Power W	30W
	Beam Angle	36°
	Available CCT	3000K, 4000K, 6500K
	CRI	>95
	Material	6063 Aluminium
	Module	OTSEN
	Product Size	L1185xW50xH75mm
	Storage Temperature (Ts)	-40°C to 60°C
Lifetime	50000 Hrs	

## Product Detail





© 2023 OTSEN UK PVT. LTD. all rights reserved. OTSEN reserves the right to make changes in specifications and / or to discontinue any product at any time without notice or obligation and will not be liable for any consequences resulting from the use of this publication.

[www.otsen.co.uk](http://www.otsen.co.uk)